



FOOD
COLLECTION



CONDIMENTS & TABLE SAUCES

A wide range of jars and bottles designed to make mouths water.



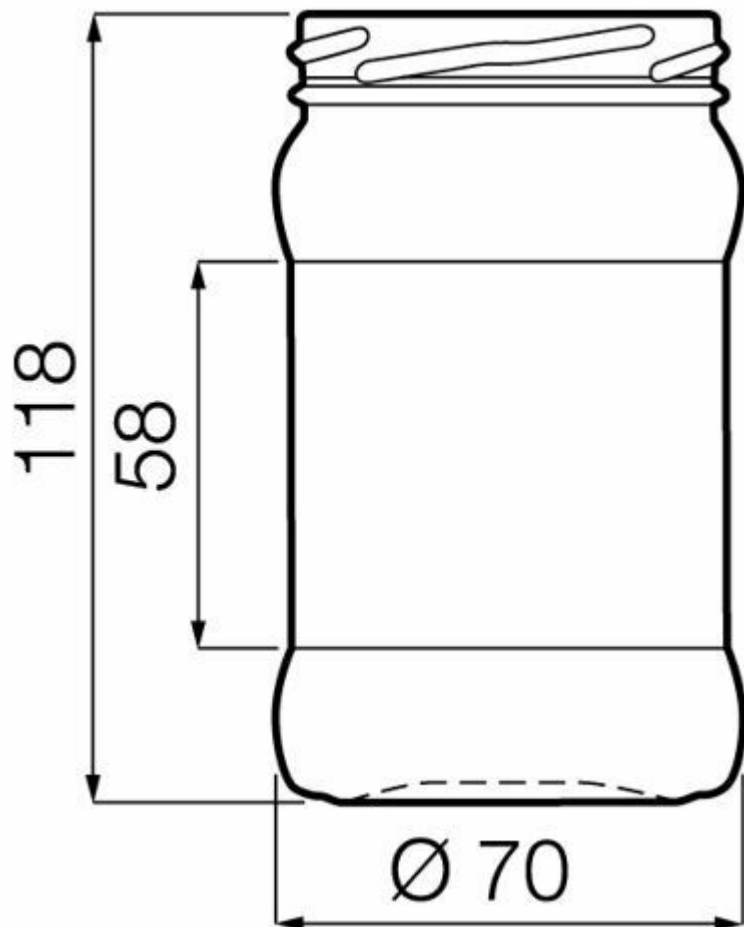
FLINT
F3006090

32CL DAWID/S TO66

AVAILABLE COLORS



Flint



TECHNICAL SPECIFICATIONS

| | |
|-------------------|------------|
| Product code | 006090 |
| Capacity | 27.0 cl |
| Brimfull capacity | 32.0 cl |
| Height | 118.0 mm |
| Diameter | 70.0 mm |
| Shape | Round |
| Finish | Wide mouth |
| Label protection | Yes |
| Refillable | No |
| Weight | 185 g |
| Country | Poland |

PACKAGING SPECIFICATIONS

| | |
|------------------------|-----------|
| Containers per pallet | 4224 |
| Layers per pallet | 16 |
| Pallet width | 1000 mm |
| Pallet depth | 1200 mm |
| Pallet height | 2074 mm |
| Gross weight of pallet | 813.00 kg |

i Other packaging specs are available upon request.



O-I Europe - 30 April 2026

The images, specifications and other data on this page are for information purposes only. The present information can in no way be used or interpreted as a technical drawing. Specific advice should be obtained from your O-I representative with regards to the suitability of products prior to any application. The information on industry containers is updated from time to time, however O-I reserves the right to amend the specifications or to withdraw certain containers from sale without notice.

www.o-i.com

www.glass-catalog.com

© 2026, O-I Glass, Inc