



FOOD
COLLECTION



SPREADS

An extensive selection of jars out of which gourmets will love sneaking spoonfuls.



CONDIMENTS & TABLE SAUCES

A wide range of jars and bottles designed to make mouths water.



COOKING SAUCES

A broad selection to best preserve these tasty sauces. Let's cook!



PRESERVED MEAT & FISH

Simple, transparent – let the product speak for itself.



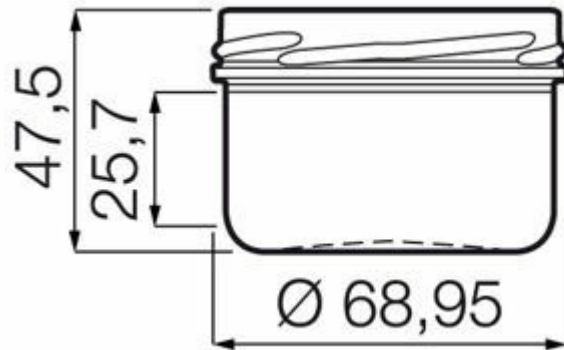
I2CL VERRINE TO70

AVAILABLE COLORS



Flint

FLINT
F3013329



TECHNICAL SPECIFICATIONS

| | |
|-------------------|------------|
| Product code | 013329 |
| Capacity | 12.0 cl |
| Brimfull capacity | 12.0 cl |
| Height | 47.5 mm |
| Diameter | 69.2 mm |
| Shape | Round |
| Finish | Wide mouth |
| Label protection | No |
| Refillable | No |
| Weight | 85 g |
| Country | France |

PACKAGING SPECIFICATIONS

| | |
|------------------------|-----------|
| Containers per pallet | 4752 |
| Layers per pallet | 18 |
| Pallet width | 1000 mm |
| Pallet depth | 1200 mm |
| Pallet height | 1055 mm |
| Gross weight of pallet | 452.00 kg |

i Other packaging specs are available upon request.



O-I Europe - 17 March 2025

The images, specifications and other data on this page are for information purposes only. The present information can in no way be used or interpreted as a technical drawing. Specific advice should be obtained from your O-I representative with regards to the suitability of products prior to any application. The information on industry containers is updated from time to time, however O-I reserves the right to amend the specifications or to withdraw certain containers from sale without notice.

www.o-i.com

www.glass-catalog.com

© 2025, O-I Glass, Inc